

## MULTISTREAM® G Solids Flow Meter



- Flow rate measurement on the deflection chute principle
- Dust-tight housing
- Compact design
- Cost effective, simple integration

### Application

MULTISTREAM® G Solids Flow Meters are designed as enclosed in-line measuring systems for continuous acquisition of flow rates from 4 t/h to 1000 t/h (max. 1250 m³/h).

These measuring systems can be used for

- flow rate and consumption measurement
- totalization and
- batching

of pulverized to granular materials with a grain size of up to 30 mm. Equipped with a controllable pre-feeder,

MULTISTREAM® G is also available for use as a feed system, upon request.

Thanks to its enclosed, rugged design, this measuring system is the answer to limited space and enclosed conveyor routes.

### Construction

The standard equipment of MULTISTREAM® G Solids Flow Meters comprises:

- Sheet metal housing,
- Guide and measuring chutes,
- Load cell,
- Measuring force transmission to load cell arranged outside of material room,
- Cable junction box.

The load cell arranged outside of material room, measuring system can be used at material temperatures of up to 100° C.

Higher temperature ranges are available, upon request.

### Function

The deflection chute measuring system acquires the flow rate by using a reactive force.

Via guide chute, the material is leveled out, settled, then guided to the curved measuring/ deflection chute, free from shocks.

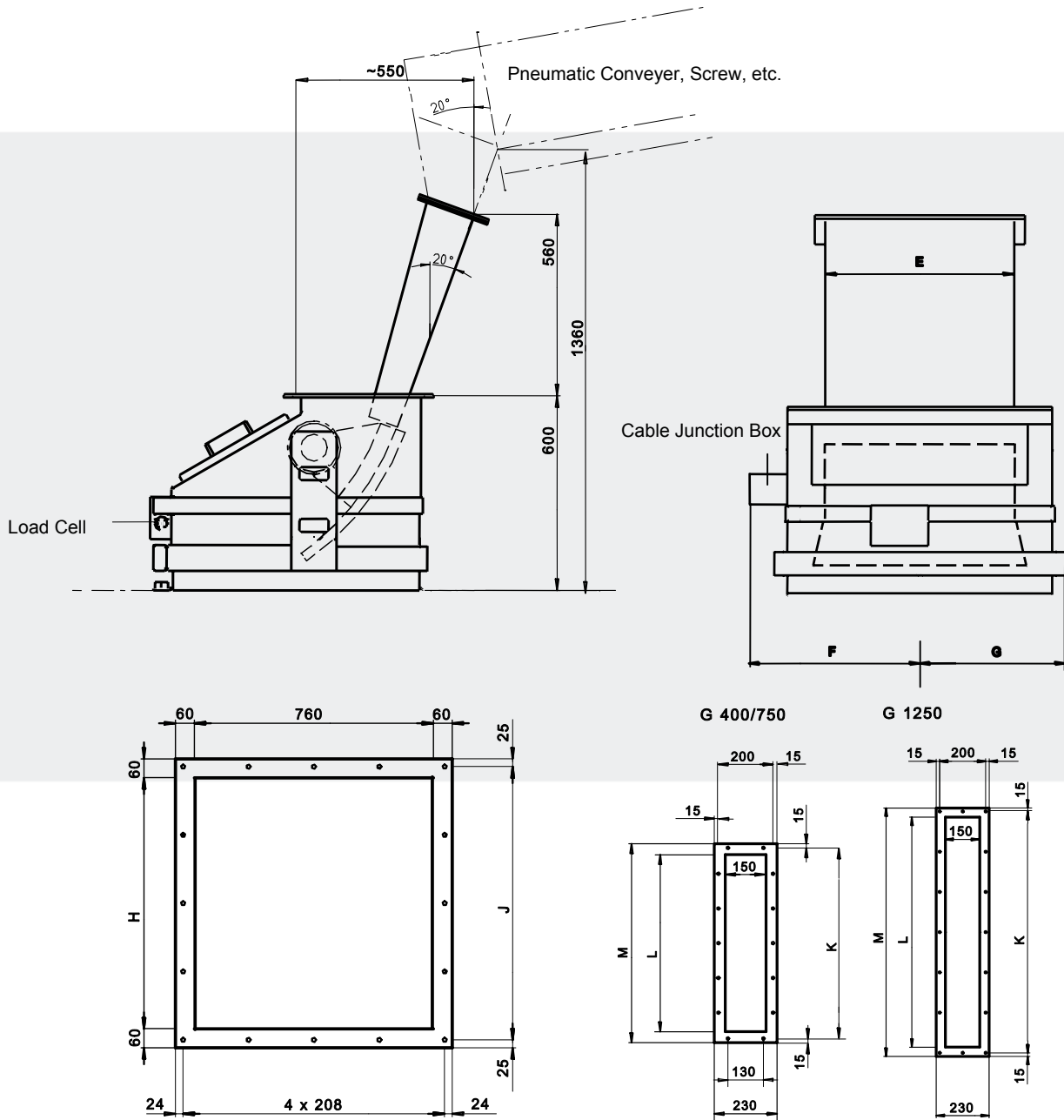
On the measuring chute the material is accelerated in radial direction. The resulting reactive force is acquired by the load cell.

If higher accuracies are required, check measurements are necessary which allow the measuring system to be calibrated without interrupting material flow.

Requiring presilo to be weighed, this additional equipment is available upon request.

Dimensions [mm]

MULTISTREAM® G Solids Flow Meter



Variant	Sizes [mm]							
	E	F	G	H	J	K	M	L
G 400	400	470	380	550	2 x 310	3 x 150	480	400
G 750	650	593	505	800	4 x 217,5	4 x 127,5	730	650
G 1250	1000	770	680	1150	5 x 244	6 x 175	1080	1000

## Technical Data

<b>MULTISTREAM® Solids Flow Meters</b>			
<b>Variant</b>	<b>G 400</b>	<b>G 750</b>	<b>G 1250</b>
<b>Flow rate</b>	min. 4 t/h – max. 400 m³/h (max. 1000 t/h)	min. 16 t/h – max. 750 m³/h (max. 1000 t/h)	min. 40 t/h – max. 1250 m³/h (max. 1000 t/h)
<b>Accuracy</b>	± 2% of nominal flow rate		
<b>Measuring range</b>	1 : 5		
<b>Operating pressure</b>	- 2 mbar to - 8 mbar, Variation ± 2 mbar		
<b>Weight</b>	155 kg	250 kg	390 kg
<b>Ambient temperature</b>	-30°C to +60°C		
<b>Material temperature</b>	max. 100° ( optional 200° ) Celsius		
<b>Bulk density</b>	min. 0,4 t/m³		
<b>Grain size</b>	max. 10 mm (single grain up to 30 mm)		
<b>Flow properties</b>	pulverized to granular, non-sticky		

### Accuracy

Stated accuracy relates to maximum (nominal) flow rate in the range of 20 -100% (measuring range 1:5) under the following conditions:

- Constant material properties (flow behaviour, moisture, temperature, grain size)

System installed and calibrated in accordance with our Installation and Calibration Instructions.

### Additional Requirements

Should you have additional requirements like:

- abrasive material,
- Ex applications,
- material temperatures > 100° C,
- higher accuracy or
- use as a feeding system,

we kindly ask for a separate request.

### Order Data

To be able to process your order smoothly and quickly, please remember to indicate order numbers complete with data below:

#### Material Data

Bulk density ..... [t/m³]

Material.....

#### Flow Rate Range

From ..... [t/h]

To ..... [t/h]

Variant	Order No.
MULTISTREAM® G, Solids Flow Meter	
G 400, max. 400 m³/h	F021140.01
G 750, max. 750 m³/h	F021140.02
G 1250, max. 1250 m³/h	F021140.03

Documentation	Order No.
MULTISTREAM® G Operating and Service Manual	
German	D707380.01
English	D707381.01
French	D707382.01

One set of documentation is supplied as standard. Should you need additional copies, please order separately. Remember to indicate desired language version.