

SENSiQ™ Pendulum Mount (SPM)

Self-Aligning Mount for Load Cell SENSiQ™ RTN 1 t ... 470 t



- Capable of the highest measuring accuracy
- Legal-for-trade
- Extremely robust (stainless steel)
- Self-centering
- Easy to assemble and maintenance-free

Application

The pendulum mount was designed for perfect interaction with the RTN load cell.

It is used in situations with extremely rough ambient conditions but where a long life cycle and the highest measuring accuracy are required.

Typical applications are vehicle scales and binweighers.

Construction

A complete Pendulum Mount consists of a pendulum pressure piece, a pressure piece and a centering piece of shims for height compensation.

The load cell is located either directly on the connecting structure or on an optional base plate.

The base plate ensures an ideal installation surface if the floor is uneven.

Function

The weight to be measured is applied to the load cell by means of the pressure piece via the pendulum pressure piece.

The pendulum pressure piece prevents disturbance transverse forces from being applied to the load cell.

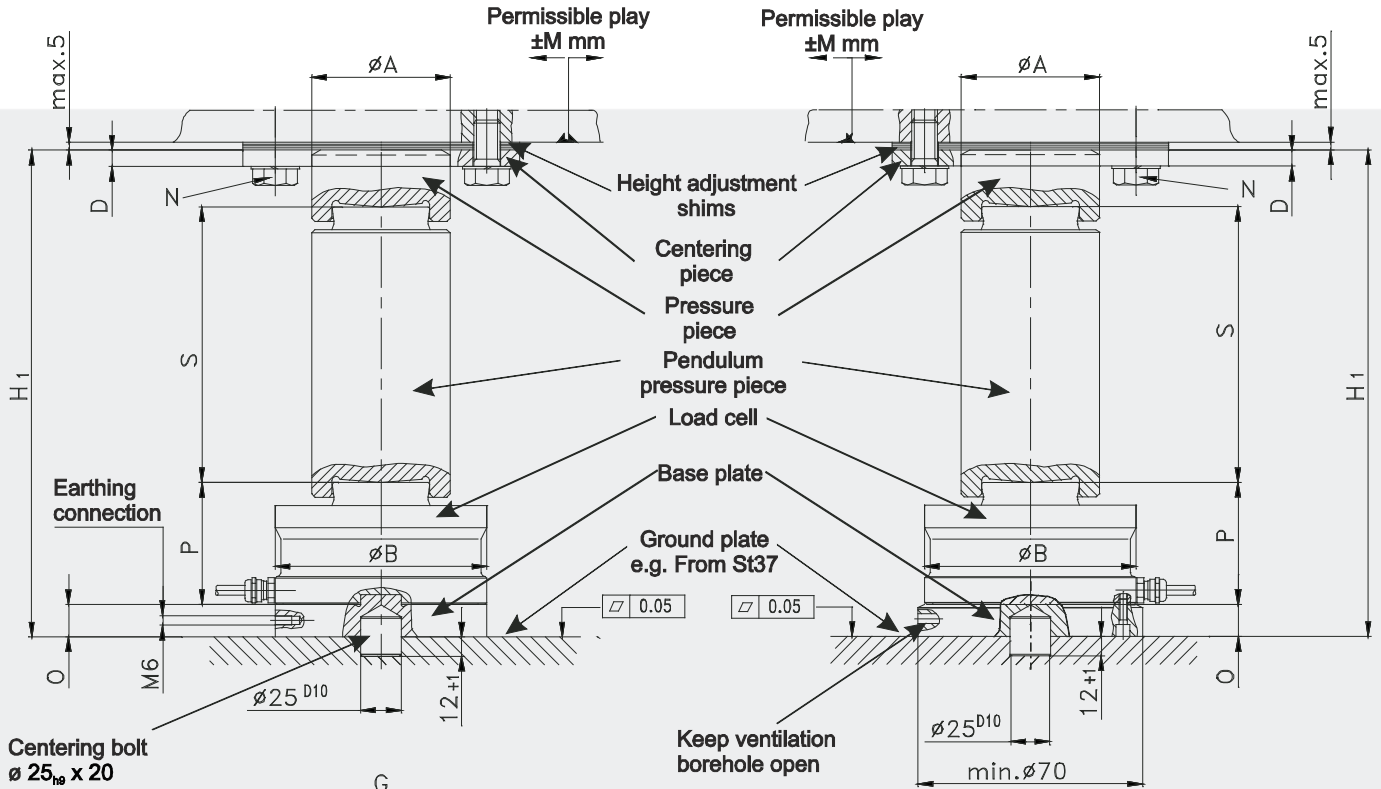
The self-centering effect of the bearing returns automatically the scales to the home position after each deflection.

Depending on the installation situation the pendulum may require limit stops.

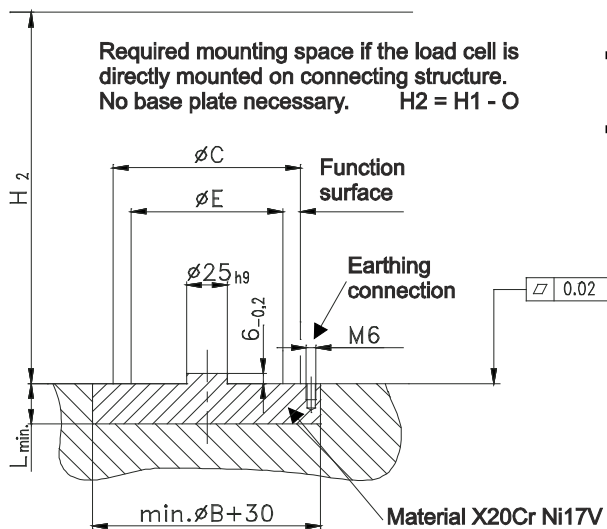
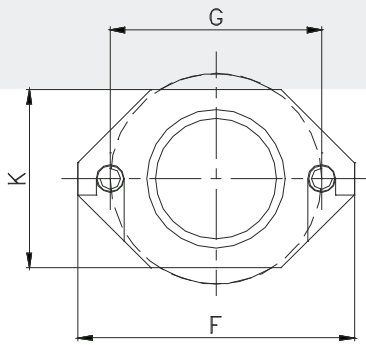
Dimensions

SPM 10 t ... 470 t

SPM 1 t ... 4.7 t



Centering bolt
 $\varnothing 25_{h9} \times 20$



- The pressure piece is secured using a centering piece that is bolted to the connecting structure.
- Height compensation (maximum 5 mm) is performed using leveling shims.
- The load cell is centered using a spigot ($\varnothing 25$ mm).
- The optional base plate is centered using a bolt ($\varnothing 25$ mm, included in delivery).
- An earthing connection must be provided on the ground plate of the connecting structure (see the planning-in drawings).

Dimensions

Nominal load [t]	Dimensions [mm]															
	A	B	C	D	E	F	G	H ₁	H ₂	K	L	M	N	O	P	S
1	35	60		4		90	68	128		60		3.5	M8x20	15	43	56
2.2	35	60		4		90	68	128		60		3.5	M8x20	15	43	56
4.7	35	60		4		90	68	145		60		3.5	M8x20	15	43	73
10	45	75	80	4	62	90	68	165	145	60	20	3.5	M10x20	20	50	76
15	45	75	80	4	62	90	68	175	155	60	20	4	M10x20	20	50	86
22	45	75	80	4	62	90	68	229	209	60	20	7	M10x25	20	50	140
33	58	95	100	6	78	120	90	272	252	80	25	7	M12x25	20	65	160
47	85	130	140	10	110	170	130	295	270	110	35	6	M16x30	25	75	160
68	85	130	140	10	110	170	130	337	300	110	40	7	M16x30	37	85	180
100	100	150	160	10	129	180	140	371	331	130	45	8	M16x30	40	90	200
150	100	150	160	10	130	180	140	405	365	30	80	9	M16x30	40	100	224
220	135	225	230	12	190	260	200	474	429	180	96	10	M20x40	45	130	240
330	135	225	230	12	190	260	200	554	504	180	116	11	M24x50	50	145	300
470	160	270	275	12	230	320	240	667	603	220	138	12	M24x50	64	170	360

Custom heights are available on request.

Technical Data

Nominal load [t]	Weight with load cell [kg]	Weight of base plate [kg]
1	1.1	0.3
2.2	1.1	0.3
4.7	1.4	0.3
10	2.5	0.7
15	2.7	0.7
22	3.7	0.7
33	6.3	1.1
47	14.0	2.7
68	15.4	3.8
100	22.3	5.4
150	34 *)	
220	77 *)	
330	112 *)	
470	160 *)	
Material	Stainless steel	
Height compensation	max. 5 mm	

*) Overall weight with load cell and base plate

Variants	Order number without base plate	Order number with base plate	Variants	Order number without base plate	Order number with base plate
SPM 1 t	D 725565.16	D 725565.11	SPM 47 t	D 725565.08	D 725565.03
SPM 2.2 t	D 725565.17	D 725565.12	SPM 68 t	D 725565.09	D 725565.04
SPM 4.7 t	D 725565.18	D 725565.13	SPM 100 t	D 725565.10	D 725565.05
SPM 10 t	D 725565.19	D 725565.14	SPM 150 t	-	D 726616.01
SPM 15 t	D 725565.20	D 725565.15	SPM 220 t	-	D 726616.02
SPM 22 t	D 725565.06	D 725565.01	SPM 330 t	-	D 726616.03
SPM 33 t	D 725565.07	D 725565.02	SPM 470 t	-	D 726616.04

No load cells are included in the SPM delivery and must be ordered separately.



SENSiQ™ Secure Mount
0.25 t ... 470 t
BV-D2083



SENSiQ™ Elastomer Mount
0.25 t ... 470 t
BV-D2044



Ring-Torsion Load Cell
RTN 1 t ... 470 t
BV-D2019



SENSiQ™ Secure Mount PLUS
10 t ... 330 t
BV-D2444



SENSiQ™ Fixed Mount
1 t ... 470 t
BV-D2182



SENSiQ™ Fixed Mount PLUS
10 t ... 330 t
BV-D2442

Schenck Process Europe GmbH

Pallaswiesenstr. 100
 64293 Darmstadt, Germany
 T +49 6151 1531-0
 F +49 6151 1531-66
 sales@schenckprocess.com
 www.schenckprocess.com