

INTECONT® Satus, Indicator for Beltscales



- **Clear text operator guidance on back lighting LCD display**
- **Stainless steel housing – at a high protection class**
- **Table-top or wall mounting**
- **Various fieldbus interfaces**
- **Ethernet interface, can also be used for configuration**
- **All components can be exchanged without readjustment**

Application

The indicator INTECONT Status is designed for applications using belt weighers MULTIBELT® to highly accurate measure and record bulk solids flows.

By focusing primarily on the necessities the INTECONT Satus represents a very attractive, simple and modern device on the market.

Equipment and functionality

The indicator for beltscales INTECONT Satus VKG 20790 has a standard stainless steel con-sole shaped case in protection class IP65 that is suited for table-top and wall mounting.

The indicator has an easy readable back lighting LCD display for showing measured values with clear text operator guidance. Data is keyed in via flexible membrane keyboard with 6 keys.

All INTECONT Satus parameters can be configured very easily by using the PC program EasyServe.

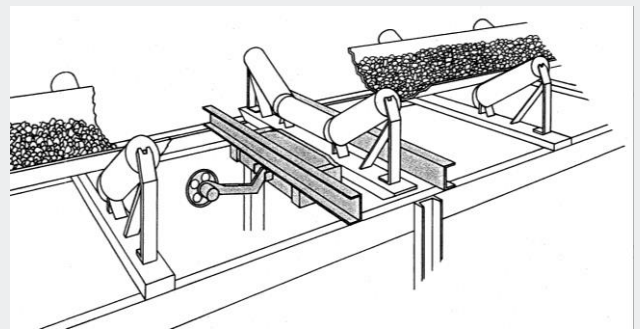
The parameters are stored using the load cell dongle technology and therefore are available even after replacement of the main board.

Since Ethernet is increasingly becoming the communication standard in industry also, INTECONT Satus has a standard 10/100 Mbaud network connection. Also the well-established Modbus.

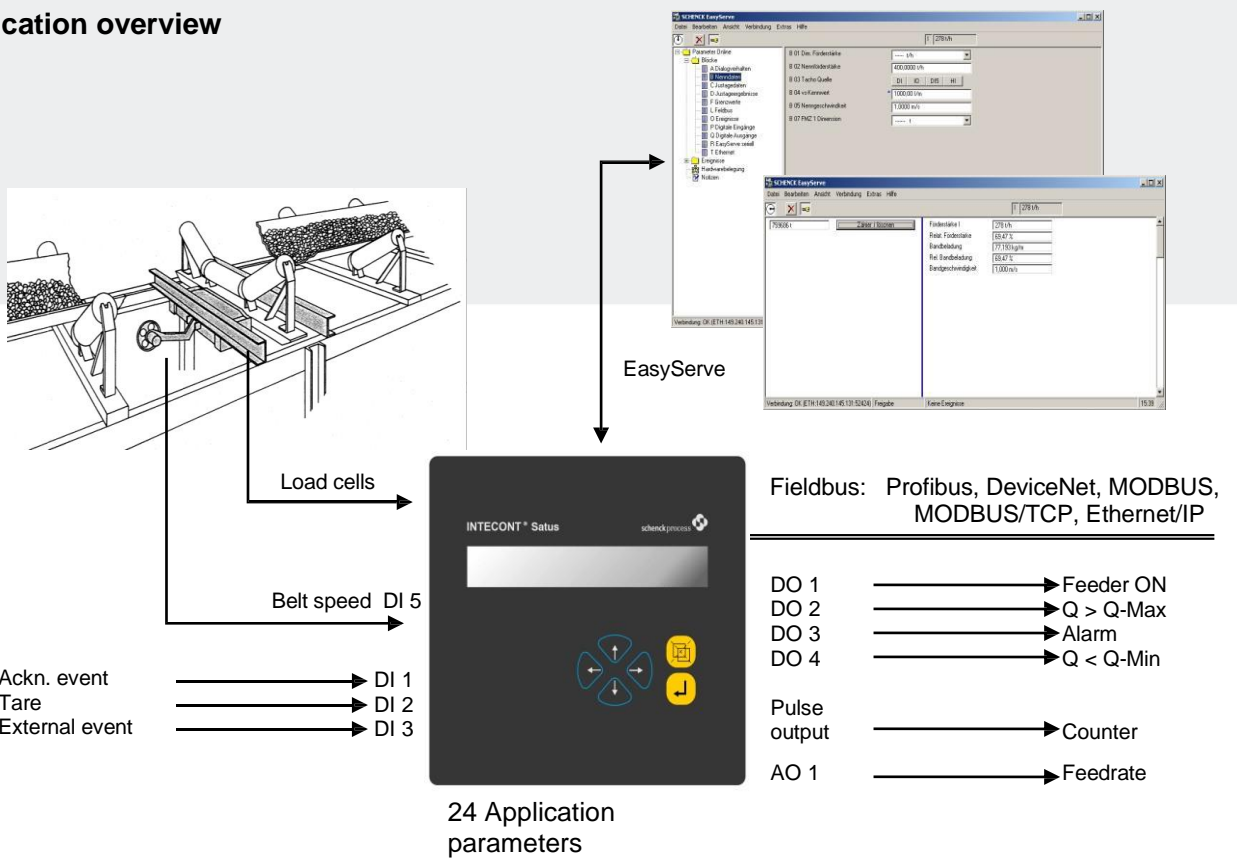
Optional fieldbus protocols for Profibus DP-V0, Profinet, DeviceNet, Ethernet MODBUS/TCP and Ethernet/IP are available.

Belt weigher application

- On site assembly possible
- Simple and easy commissioning
- Automatic measuring of bulk solids flow
- Totalizing counter Belt load monitoring
- Zero-drop-out (no totalizing if belt load is too low, empty belt)



Application overview



INTECONT Satus

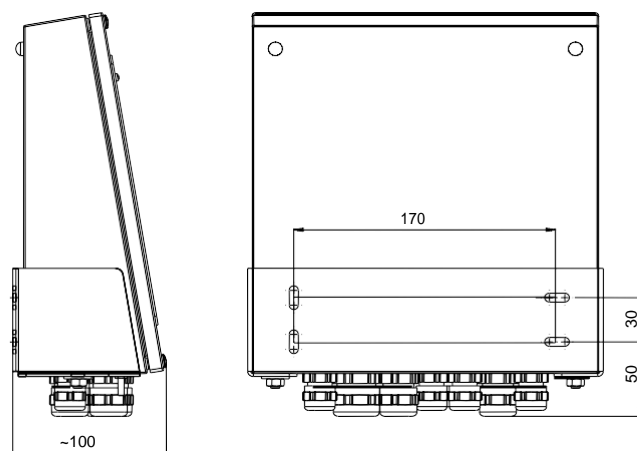
- Stainless steel housing with a high protection class
- All connections are tied up to special functions
- All components can be exchanged without reverification
- Functionality self-explaining: simple and easy configuration
- Minimized complexity: only necessary parameters have to be adapted, hence only 18 application parameters
- 6 keys sufficient for data input and control
- 5 Preloaded menu languages: German, English, French, Spanish, Italian
- PC-based service program EasyServe; to be connected serial or via Ethernet
- Serial connections on board: MODBUS; Ethernet with MODBUS/TCP protocol
- Optional fieldbus protocols: Profibus DP-V0; DeviceNet; Ethernet with protocol Ethernet/IP, Profinet



Table-top mounting



Wall mounting



Technical Data

Display	LCD back lighting, 1 cell 20 characters. Characters 12 mm high	
Keyboard	6 keys; protect display and membrane keyboard from long direct sunlight	
Supply voltage	85 - 240 VAC, 50 - 60 Hz, max. 10 VA, Variant 24 VDC	
Housing	Stainless steel 1.4301, deep drawn, IP65	
Temperatur range	Service temperature: -30 °C ... +60 °C	
Measuring circuit	Supply voltage:	5 V alternating current supply
	Range:	-20 mV ... +20 mV
	Load cell impedance:	R min 47 Ω Cable
	length:	max. 1000 m
Units	kg, t, lb; kg/h, t/h, lb/h	
Taring	to be started via digital input or keyboard	
Belt monitoring	zero-drop-out; Belt load > max / < min	
Binary inputs	3 x Optokoppler, 18 - 36 VDC, typ. 5 mA	assigned signal Ack. event Tare External event
	1 x digital input according to DIN EN 60947-5-6 (NAMUR), 0,04 - 3000 Hz	Speed
Binary outputs	4 x relays, 230 VAC, max. 60 W	Running Belt load Q > Max Alarm Belt load Q < MIN
Pulse output	Optocoupler, 18 - 36 VDC, max. 50 mA/10 Hz	Totalizing counter pulses
Analog output	0(4) – 20 mA, 12 Bit, max. imp. 500 Ω	Feedrate
Serial connections	Interface 1: RS 232 Interface 2: RS 232	EasyServe - keine Funktion -
	Interface 3: RS 485, 2/4-wire Ethernet	MODBUS Feldbus MODBUS/TCP Feldbus
Optional	PROFIBUS-DPV0, DeviceNet, Ethernet/IP, PROFINET	

Equipment Supplied

Systems	Type	Material number
INTECONT® Satus, Stainless steel housing IP65	VKG 20790	V040007.B11
INTECONT® Satus with Profibus Fieldbus card	VKG 20792	V060127.B11
INTECONT® Satus with DeviceNet Fieldbus card	VKG 20793	V060128.B11
INTECONT® Satus with Ethernet/IP Interface	VKG 20795	V060129.B11
INTECONT® Satus with Profinet – Interface	VKG 20790 VPN	V052190.B11
INTECONT® Satus, Stainless steel housing IP65, 24 VDC	VKG 20796	V084590.B11
INTECONT® Satus with Profibus Fieldbus card, 24 VDC	VKG 20797	V084720.B01
INTECONT® Satus with DeviceNet Fieldbus card, 24 VDC	VKG 20798	V084721.B01
INTECONT® Satus with Ethernet/IP Interface, 24 VDC	VKG 20799	V084722.B01
INTECONT® Satus with Profinet – Interface, 24VDC	VKG 20790 PN	V596268.B11
Options		
Profibus Fieldbus card	VPB 8020	V054033.B01
DeviceNet Fieldbus card	VCB 8020	V081906.B01
Ethernet/IP activating	VET 20700	V040035.B01
Profinet Fieldbus card	VPN 28020	V097103.B01
Spare parts		
Measuring circuit dongle	VDO 20700	V040013.B01
EasyServe		
Software (CD)	VPC 20150	E144541.01
Cable for EasyServe, 9p/3p		V052410.B01

Schenck Process Europe GmbH

Pallaswiesenstr. 100
D-64293 Darmstadt, Germany
T +49 6151 1531-1216
F +49 6151 1531-1172
sales@schenckprocess.com
www.schenckprocess.com