

# Platform scales DVC/DVM

- Flat design
- Robust and maintenance free
- High quality processing
- Extensive range of accessories
- Legal-for-trade as commercial scale Cl. III
- Optional in Ex design



## Applications

The DVM line of platform scales has a flat, robust and low-maintenance construction so that they are suited for use in virtually all industrial areas.

The DVC line has more complex engineering meaning it offers a wider spectrum of designs and accessories.

The high quality design of the scales (optional up to 1.4404 (316L) electropolished), the easy accessibility for cleaning (removable load plate) and the extensive range of accessories also allow use in challenging applications, such as in chemistry and food production.

## Model

- 10 sizes from 400 x 300 mm to 2000 x 1500 mm
- Removable load plate – for series DVC
- Material 1.0038 powder-coated (middle gray, RAL 7040) or 1.4307 (304L)  
up to size 800 x 600 mm load plate as standard 1.4307 (304L)
- Optional load plate 1.4404 (316L) (DVC)  
electropolished roughness <3 µm
- Optional complete scale in 1.4404 (316L) (DVC)  
electropolished, roughness <3 µm
- Pitless scale with 4 adjustable feet

- Optional foundation frame for floor installation of the scale
- Legal-for-trade model for 3000 d or multi-range 2 x 3000 d
- Hazardous area variants (DVC) for:
  - Gas Zone 1 (according to ATEX) in protection class Ex-i
  - Gas Zone 2 (ATEX)
  - Dust Zone 21 and 22 (ATEX)
- Extensive range of accessories, e.g.:
  - Load plate made from bulb plate
  - Roller conveyor
  - Spherical load plate
  - Access ramps
  - Steel benches
  - Floor fixing

We are happy to offer you other special models as requested.

Of course, upon request we are happy to configure a complete scale for you, comprising a DVC/DVM platform scale, DISOMAT® control electronics and other accessories, such as printers, displays, ...

**Available combinations of size and nominal load of the scale**

Size [mm]	Weighing range [kg]					
	60	150	300	600	1500	3000
400 x 300	X					
500 x 400	X	X				
650 x 500	X	X	X			
800 x 600	X	X	X			
1000 x 800				X	X	X
1000 x 1000		X	X	X	X	X
1250 x 1000				X	X	X
1500 x 1250				X	X	X
1500 x 1500				X	X	X
2000 x 1500				X	X	X

View of the scales up to size 800 x 600 mm

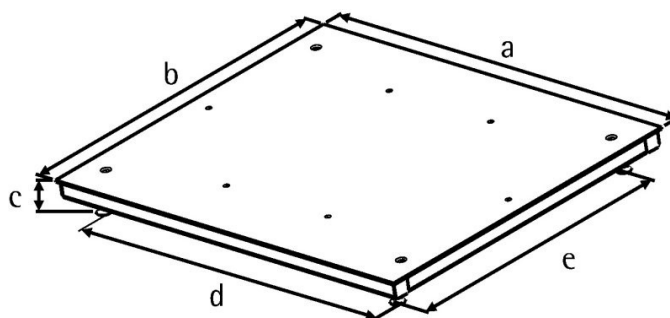


View of the scales from size 800 x 800 mm



Load plate as standard in 1.4307 (304L)

**Dimensions and load limits**



Diameter of the adjustable feet: 80 mm  
 Adjustment range: 5 mm

Size [mm] (a x b)	Height DVC [mm] (c)	Height DMV [mm] (c)	Distance between feet [mm] (d x e)	Cable length [m]	Dead weight [kg]	Load-carrying capacity		
						Middle [kg]	Side [kg]	Corner [kg]
400 x 300	94 (**:101)	96	344 x 244	1.5	11	130	85	45
500 x 400	96 (**:104)	110	443 x 343	1.5	18	300	200	100
650 x 500 *)	145	142	530 x 434	3	20	600	400	200
650 x 500 **)	90	140	550 x 400	3	20	450	300	150
800 x 600 *)	145	142	680 x 534	3	35	1200	800	400
800 x 600 **)	90	140	700 x 500	3	35	900	600	300
1000 x 800	90	100	804 x 604	6	140	4500	3000	1500
1000 x 1000	90	100	804 x 804	6	160	4500	3000	1500
1250 x 1000	90	100	1054 x 804	6	185	4500	3000	1500
1500 x 1250	90	100	1304 x 1054	6	270	4500	3000	1500
1500 x 1500	90	100	1304 x 1304	6	305	4500	3000	1500
2000 x 1500	100	100	1804 x 1304	6	425	4500	3000	1500

\*) 1.0038

\*\*\*) Stainless steel

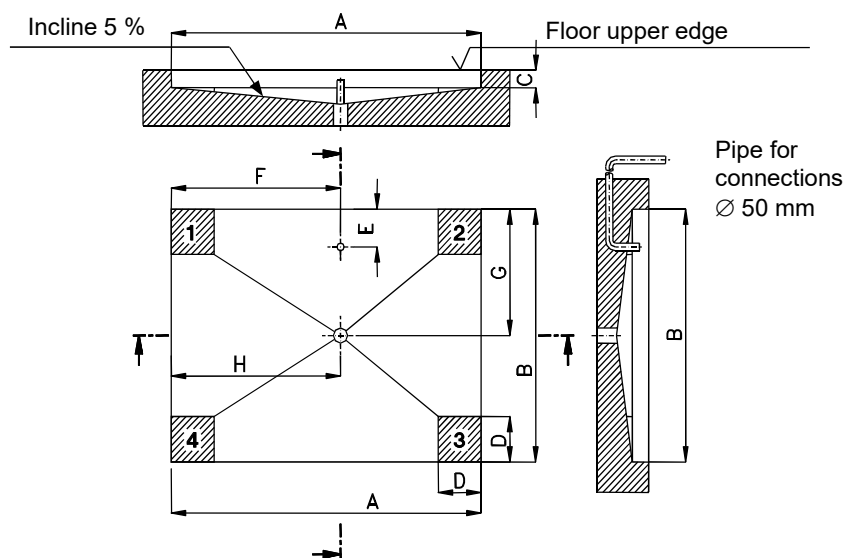
### Foundation Frame

Suitable foundation frames are available for in-floor installation of the DVC scales. These frames have the job of perfectly bordering the edge of the foundation pit. The frames for the DVC line also provide centering and metallic mounting surfaces for the adjustment bases of this platform scale.

That reduces the demands made of evenness and strength of the pit floor.

The foundation frame is inserted into the already-prepared pit and the remaining gap is filled with concrete. For further details, the installation instructions in the Service Manual BV-H2224

### Dimensions of the construction site foundations



**Note:** The dimensions [mm] H, G (drainage) and E, F (cable feed) are recommended dimensions and can be varied as required.

Size of the platform	Internal dimensions of the foundation frame	Pit internal dimensions (A x B)	Pit depth (C)	Installation area (D)	Correction plates	E	F	G	H
800 x 600 *)	814 x 614	970 x 770	160	220	150 x 150	200	485	560	485
800 x 600 **)	814 x 614	950 x 750	105	250	200 x 200	175	475	570	475
1000 x 1000	1014 x 1014	1150 x 1150	105	300	250 x 250	250	800	575	575
1250 x 1000	1264 x 1014	1400 x 1150	105	300	250 x 250	250	800	575	575
1500 x 1250	1514 x 1264	1650 x 1400	105	300	250 x 250	450	1100	700	700
1500 x 1500	1514 x 1514	1650 x 1650	105	300	250 x 250	480	1200	825	825
2000 x 1500	2014 x 1514	2170 x 1670	115	300	300 x 300	250	1185	835	1185

\*) 1.0038

\*\*\*) Stainless steel

#### Range of products, preferred sizes

Size [mm]	Material	Nominal load	Quality	Material No. DVC	Material No. DVM
Platform scales					
800 x 600	1.0038	300	C3	V020526.B01	V068043.B01
1000 x 1000	1.0038	600	C3	V020526.B02	
1250 x 1000	1.0038	600	C3	V020526.B03	
1000 x 1000	1.0038	1500	C3	V020526.B04	V068043.B04
1250 x 1000	1.0038	1500	C3	V020526.B05	V068043.B05
1500 x 1250	1.0038	1500	C3	V020526.B06	V068043.B06
1500 x 1500	1.0038	1500	C3	V020526.B07	V068043.B07
2000 x 1500	1.0038	1500	C3	V020526.B08	V068043.B08
1000 x 1000	1.0038	3000	C3	V020526.B09	V068043.B09
1250 x 1000	1.0038	3000	C3	V020526.B10	V068043.B10
1500 x 1250	1.0038	3000	C3	V020526.B11	V068043.B11
1500 x 1500	1.0038	3000	C3	V020526.B12	V068043.B12
2000 x 1500	1.0038	3000	C3	V020526.B13	V068043.B13

Size [mm]	Material	Nominal load	Quality	Material No. DVC	Material No. DVM
Platform scales					
800 x 600	1.4307	300	C3	V020538.B01	V068044.B01
1000 x 1000	1.4307	600	C3	V020538.B02	
1250 x 1000	1.4307	600	C3	V020538.B03	
1000 x 1000	1.4307	1500	C3	V020538.B04	V068044.B04
1250 x 1000	1.4307	1500	C3	V020538.B05	V068044.B05
1500 x 1250	1.4307	1500	C3	V020538.B06	V068044.B06
1500 x 1500	1.4307	1500	C3	V020538.B07	V068044.B07
2000 x 1500	1.4307	1500	C3	V020538.B08	V068044.B08
1000 x 1000	1.4307	3000	C3	V020538.B09	V068044.B09
1250 x 1000	1.4307	3000	C3	V020538.B10	V068044.B10
1500 x 1250	1.4307	3000	C3	V020538.B11	V068044.B11
1500 x 1500	1.4307	3000	C3	V020538.B12	V068044.B12
2000 x 1500	1.4307	3000	C3	V020538.B13	V068044.B13
Platform scales Ex-i Zone 1					
800 x 600	1.4307	300	C3	V020546.B01	
1000 x 1000	1.4307	600	C3	V020546.B02	
1250 x 1000	1.4307	600	C3	V020546.B03	
1000 x 1000	1.4307	1500	C3	V020546.B04	
1250 x 1000	1.4307	1500	C3	V020546.B05	
1500 x 1250	1.4307	1500	C3	V020546.B06	
1500 x 1500	1.4307	1500	C3	V020546.B07	
2000 x 1500	1.4307	1500	C3	V020546.B08	
1000 x 1000	1.4307	3000	C3	V020546.B09	
1250 x 1000	1.4307	3000	C3	V020546.B10	
1500 x 1250	1.4307	3000	C3	V020546.B11	
1500 x 1500	1.4307	3000	C3	V020546.B12	
2000 x 1500	1.4307	3000	C3	V020546.B13	
Foundation Frame					
800 x 600	1.0038			V020567.B01	
1000 x 1000	1.0038			V020567.B02	
1250 x 1000	1.0038			V020567.B03	
1500 x 1250	1.0038			V020567.B04	
1500 x 1500	1.0038			V020567.B05	
2000 x 1500	1.0038			V020567.B06	
Foundation Frame					
800 x 600	1.4307			V020575.B01	
1000 x 1000	1.4307			V020575.B02	
1250 x 1000	1.4307			V020575.B03	
1500 x 1250	1.4307			V020575.B04	
1500 x 1500	1.4307			V020575.B05	
2000 x 1500	1.4307			V020575.B06	
Small scales					
400 x 500	1.4307	60	C3	V020576.B01	
400 x 500	1.4307 Ex-i	60	C3	V020577.B01	

Other sizes and accessories upon request.

Schenck Process Europe GmbH  
Pallaswiesenstr. 100  
64293 Darmstadt, Germany  
T: +49 61 51-15 31 0  
F: +49 61 51-15 31 66  
sales-eu@schenckprocess.com



<https://www.schenckprocess.com/contact>

All information is non-binding. All specifications are subject to change. © by Schenck Process Europe GmbH, 2019-05-29